

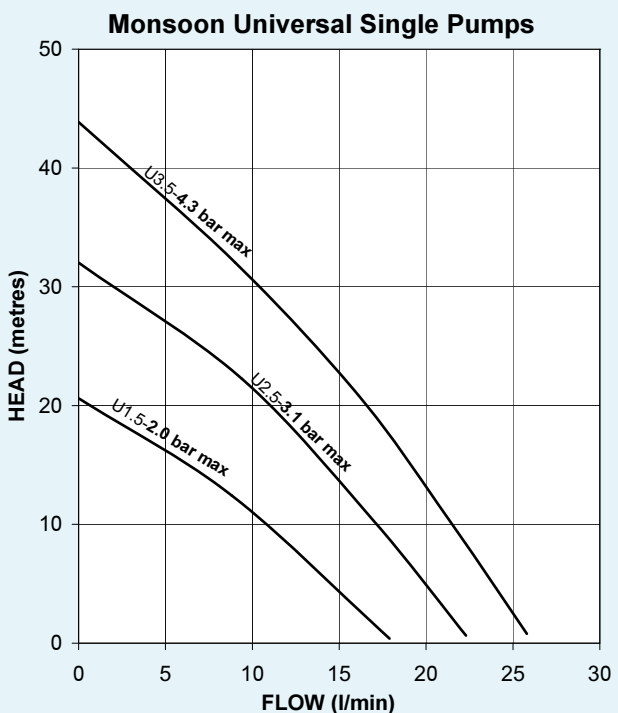
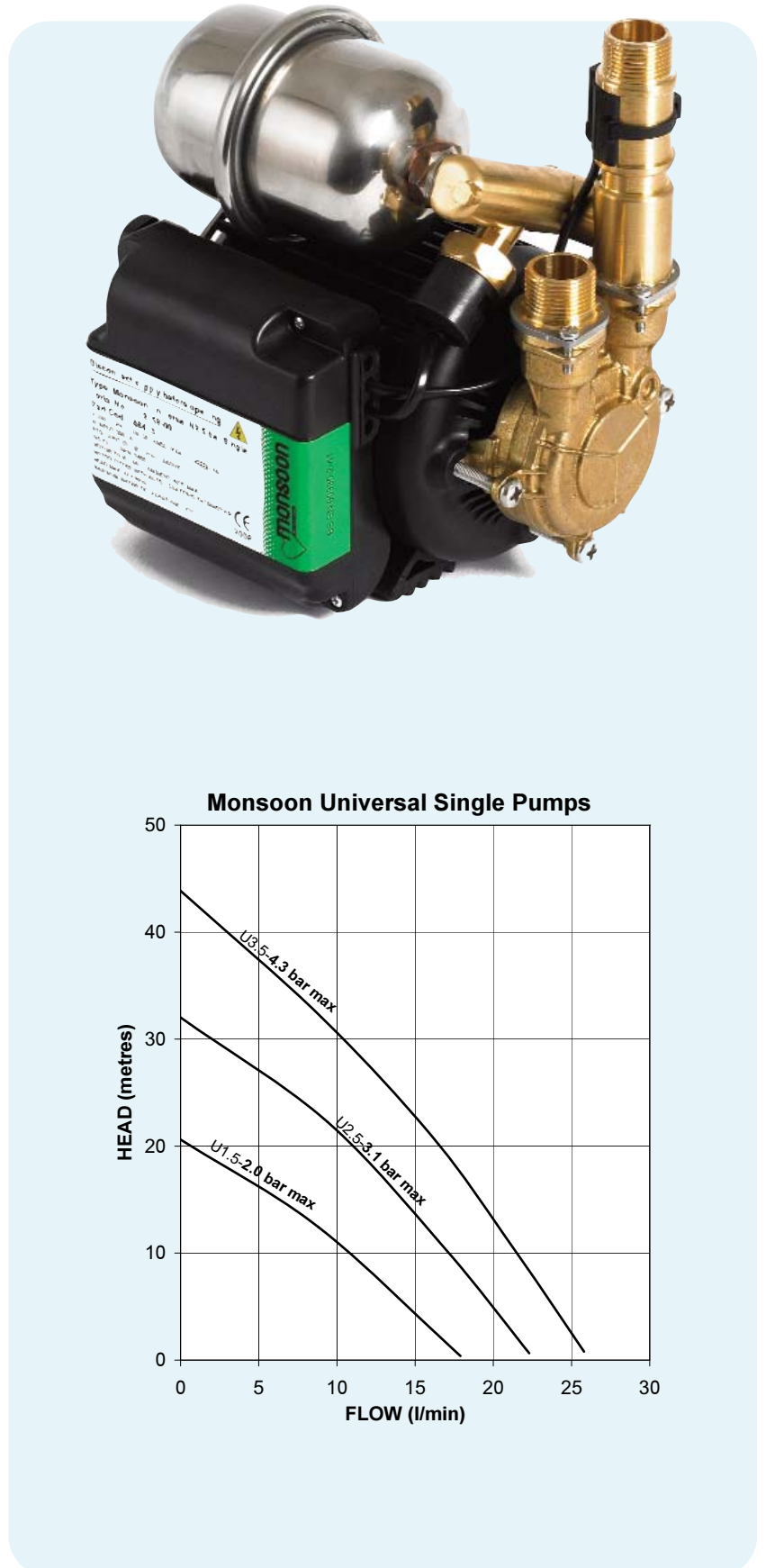
Monsoon Universal Single Pumps

Monsoon Universal pumps remove the guesswork from pump selection. Fully automatic, they will function under both positive and negative head conditions and are suitable for installation into an open vented hot and cold water system. Universal Monsoon pumps do not require a gravity flow of water to start.

Universal single pumps can be used in pairs to boost hot and cold water supplies independently, or as a single pump to boost a water supply as required.

They can be used to:

- Ideal for boosting hot water service to a common mixer where the cold supply is mains fed.
- Ideal for boosting hot and cold supplies separately.
- Suitable for increasing water pressure to a combi boiler via a break tank.
- All pumps supplied with 22 mm push-in x 300 mm anti-vibration flexible hoses.
- All flexible hoses feature integral isolating valves.
- All pumps supplied pre-wired with 1.5 metre cable, anti-vibration feet.
- All pumps have G $\frac{3}{4}$ threaded connections.
- Reassurance of up to a 3-year guarantee (subject to conditions)



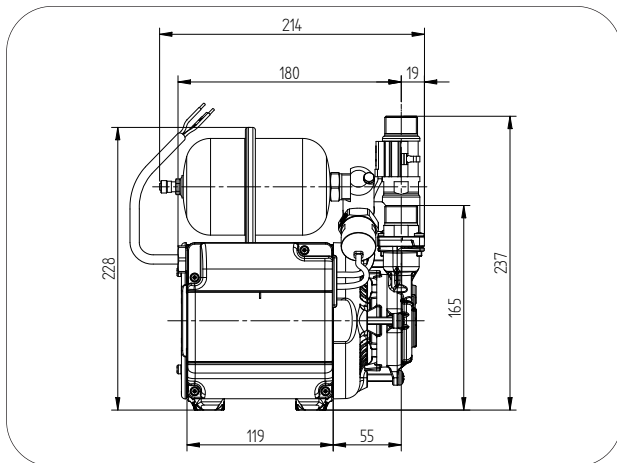
3

year guarantee!

subject to conditions

Monsoon Universal Single Pumps

System Booster Pumps		U1.5-2.0 bar max Single 46498	U2.5-3.1 bar max Single 46413	U3.5-4.3 bar max Single 46414
Performance (bar) @ 9 l/min (one shower)		1.2	2.5	3.5
Performance (bar) @ 18 l/min (two showers)		N/A	0.9	1.7
Maximum Flow Litres Per Minute		18	22	26
Maximum Head Valve Closed (bar)		2.0	3.1	4.3
Maximum Inlet Static Head (Metres)		8	12	12
Hoses	G $\frac{3}{4}$ " Female x 22 mm Push-in c/w isolating valves x 305 mm long	✓	✓	✓
G $\frac{3}{4}$ " Male Pump Connections		✓	✓	✓
Inlet Strainer		✓	✓	✓
Stuart Hard Faced Mechanical Seal		✓	✓	✓
WRAS Approved 65°C max		✓	✓	✓
Flow Switch Sensitivity approx. 0.6 l/min		✓	✓	✓
Pressure Switch		✓	✓	✓
PCB	Run On Timer 3 Sec	✓	✓	✓
	Dry Run Protection	✓	✓	✓
Power Supply 230/1/50		✓	✓	✓
Enclosure Rating BS EN 60529		IPX4	IPX4	IPX4
Motor Type, Induction, Permanent Capacitor, Auto Resetting Protective Thermotrip		✓	✓	✓
Nominal Power Consumption (Watts) @ 9 l/min		192	280	440
Full Load Amps		1.1	1.7	2.5
Fuse Rating Amps		5	5	5
Pre-Wired		✓	✓	✓
Duty Rating Continuous (S1) @ 9 l/min and above		✓	✓	✓
Length mm		214	214	214
Width mm		162	162	162
Height mm without flexibles		237	237	237
Gross Weight Packed (kg)		7.8	7.8	8.4



Stuart Turner Ltd
Henley-on-Thames
Oxfordshire RG9 2AD
England
Telephone: +44 (0)1491 572655
Fax: +44 (0)1491 573704

Email: pumps@stuart-turner.co.uk
Web: www.stuart-turner.co.uk

V.A.T. REG. No. 199 0987 92.
Registered in England No. 88368.
Registered Office:
Market Place, Henley-on-Thames