

Automatic Flow Switch Pumps

The Automatic Flow Switch range of pumps offer a simple solution to pressure boosting where a gravity flow of approx. 1 l/min already exists.

Application

Ideal for the pressurisation of water to outlets where an instant boosted supply is required from a simple to install package. The range is suitable for commercial or domestic use pumping hot or cold water.

Features

- Fully Automatic control.
- No on-site setting.
- Easy installation.
- Reliable.

Materials

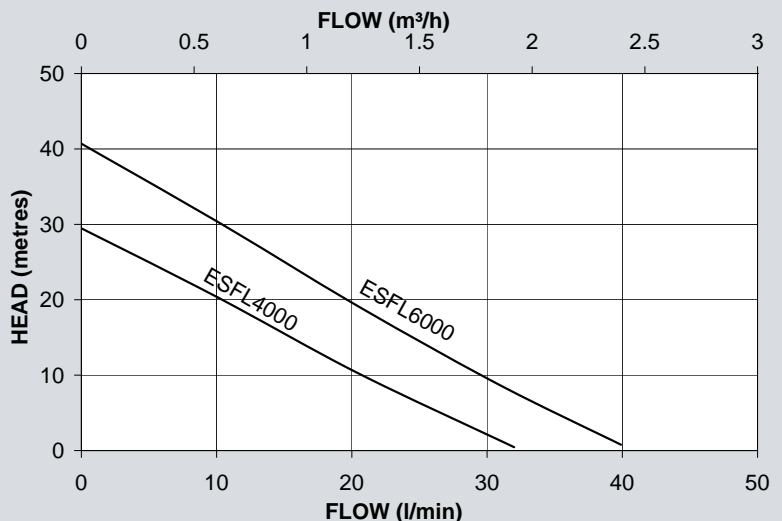
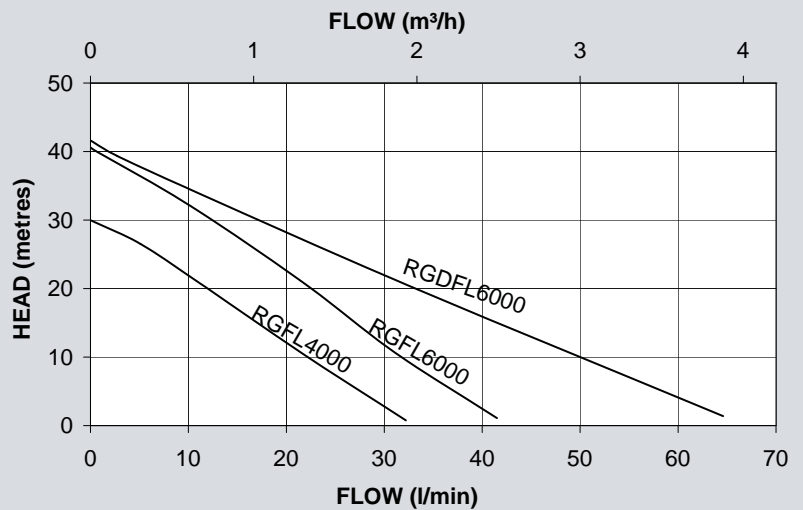
Body	TFL6-2, TFL12-2, LFL5-4S, LFL7-4S Stainless steel/glass filled noryl All other models Brass
Impeller	KFL9-2, KFL12-2 Acetal TFL6-2, TFL12-2, LFL5-4S, LFL7-4S Polycarbonate All other models Brass
Pump shaft	Stainless steel
Seal	TFL6-2, TFL12-2, LFL5-4S, LFL7-4S Nit/car/sil All other models Nit/car/cer

Operating Conditions

Max. liquid temp.	TFL6-2, TFL12-2, LFL5-4S, LFL7-4S: 65°C All other models: 80°C
Min. liquid temp.	4°C
Suction	Flooded
Max. ambient air temp.	40°C
Max. inlet head	TFL6-2: 10 m TFL12-2: 7 m All other models: 14 m
Max. working pressure	TFL6-2, TFL12-2: 4.0 bar LFL range: 7.0 bar All other models: 6.0 bar
Max. Viscosity	50 Secs redwood no. 1 scale 9.5 centistokes



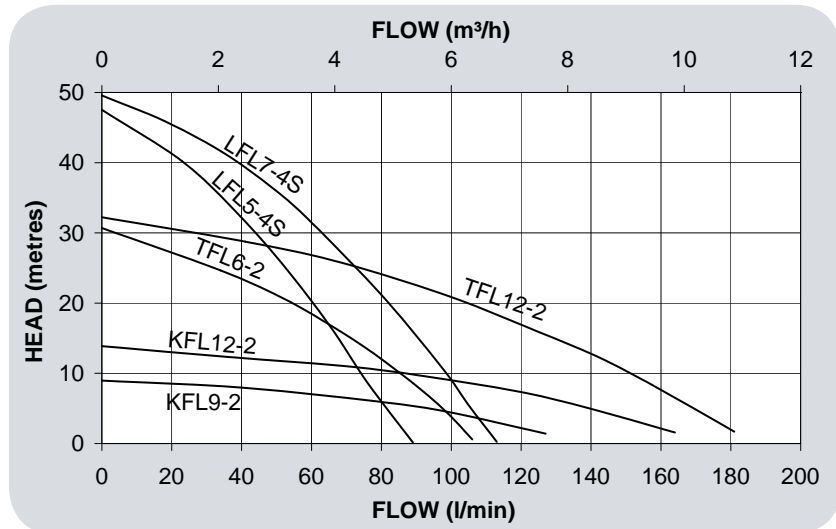
KFL9-2



Automatic Flow Switch Pumps

Pump Connection Sizes

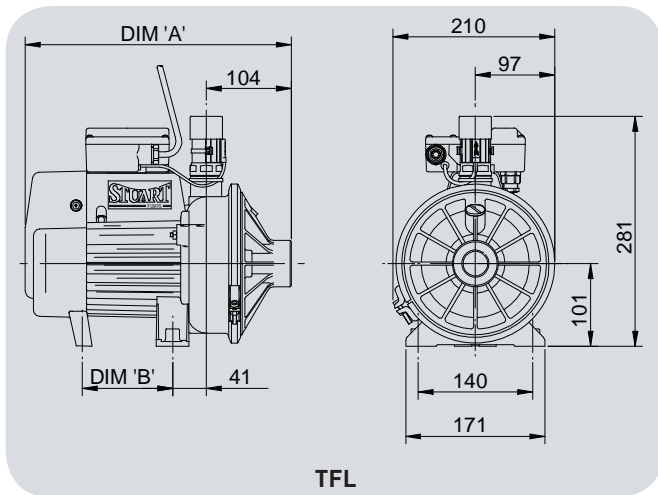
	Inlet	Outlet
ESFL4000, ESFL6000, TFL6-2, TFL12-2		
KFL9-2, KFL12-2	G1 F	G1 F
LFL5-4S, LFL7-4S	G1½ F	G1 F
RGFL4000, RGFL6000, RGDFL6000	G¾ F	G¾ M



Model	Motor*	Nominal watts	Max. watts consumed	Amps full load	Impeller	Seal	Carton dims. mm			Gross weight (packed) kg	Part no.
							L	x W	xH		
ESFL4000	230/1/50	120	320	1.4	Brass	Nit/Car/Cer	325	x 200	x 235	5.6	46521
ESFL6000	230/1/50	300	405	1.8	Brass	Nit/Car/Cer	325	x 200	x 235	5.9	46520
KFL9-2	230/1/50	180	265	1.2	Plastic	Nit/Car/Cer	430	x 250	x 360	6.5	46384
KFL12-2	230/1/50	250	485	2.1	Plastic	Nit/Car/Cer	430	x 250	x 360	6.7	46385
LFL5-4S	230/1/50	600	915	4.1	Plastic	Nit/Car/Sil	510	x 260	x 360	11.1	46400
LFL7-4S	230/1/50	760	1120	5.1	Plastic	Nit/Car/Sil	510	x 260	x 360	12.5	46401
RGFL4000	230/1/50	120	295	1.3	Brass	Nit/Car/Cer	325	x 200	x 235	5.1	46522
RGFL6000	230/1/50	300	420	1.9	Brass	Nit/Car/Cer	325	x 200	x 235	5.7	46530
RGDFL6000	230/1/50	550	855	3.7	Brass	Nit/Car/Cer	380	x 220	x 235	8.4	46531
TFL6-2	230/1/50	530	890	3.9	Plastic	Nit/Car/Sil	430	x 250	x 360	9.9	46277
TFL12-2	230/1/50	800	1155	5.3	Plastic	Nit/Car/Sil	430	x 250	x 360	11.1	46278

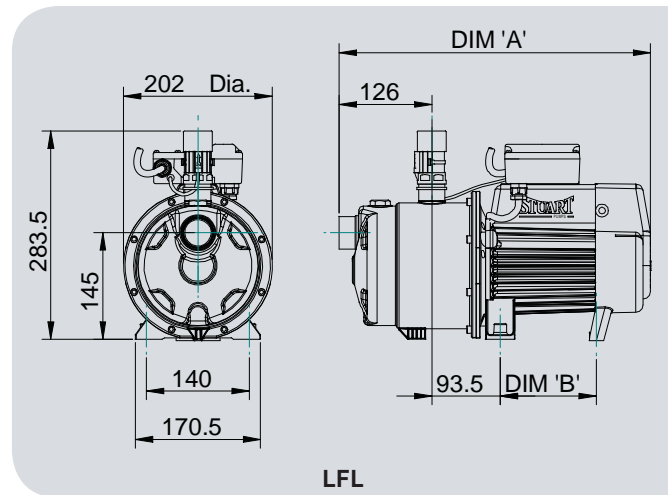
All models have an enclosure rating of IP44 and feature totally enclosed fan ventilated cooling. All models have thermal overload protection and are designed for continuous running for duties of 2.5 l/min and above.

Automatic Flow Switch Pumps



TFL

Pump Description	Dim. 'A'	Dim. 'B'
TFL6-2	326	107.5
TFL12-2	350	131.5



LFL

Pump Description	Dim. 'A'	Dim. 'B'
LFL5-4S	400.5	107.5
LFL7-4S	424.5	131.5

Stuart Turner Ltd
 Henley-on-Thames
 Oxfordshire RG9 2AD
 England
 Telephone: +44 (0)1491 572655
 Fax: +44 (0)1491 573704

Email:
pumps@stuart-turner.co.uk
 Web:
www.stuart-turner.co.uk

V.A.T. REG. No. 199 0987 92.
 Registered in England No. 88368.
 Registered Office:
 Market Place, Henley-on-Thames

**STUART
 TURNER**