

# Self Priming Jet Pumps

Supplied ready to run, the Jet pump comes with carrying handle, power cable and 13 Amp fused plug fitted. For easy local control, an on/off switch is featured on the motor.

Initially prime the pump head with clean water and the Stuart Jet pump will self prime up to 7 metres.

## Application

Designed for pumping clean water. The portable Jet pump is ideal for many household and light industrial uses. Water pressurisation and lawn sprinkler boosting are just two of its many applications.

## Materials

Body	Jet 40	Stainless steel
	Jet 90	Plastic
Impeller		Plastic
Pump shaft		Stainless steel
Seal		Nitrile/carbon/ceramic

## Operating Conditions

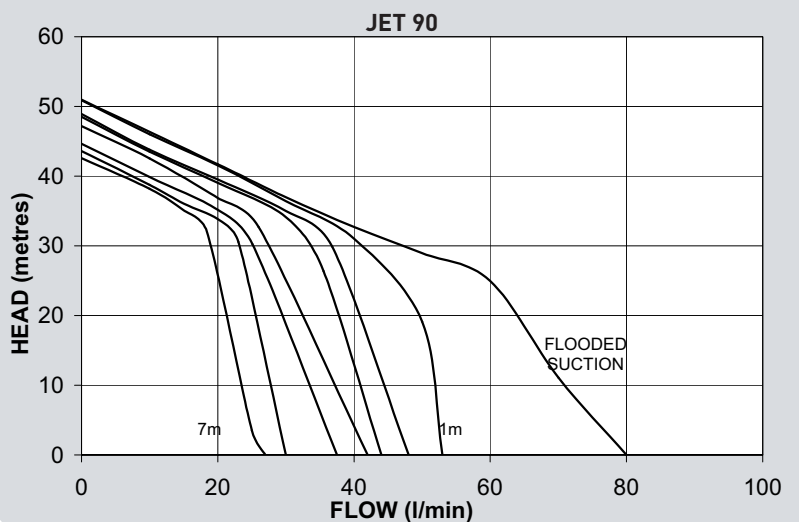
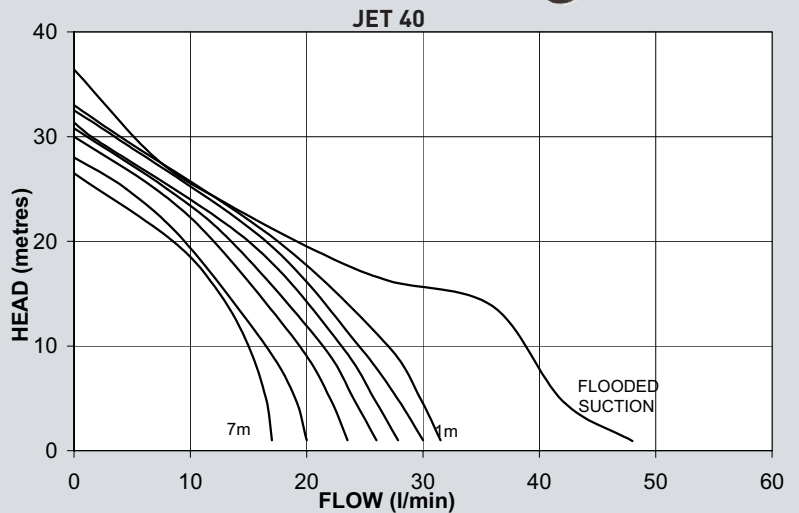
Max. water temp.	35°C
Min. water temp.	4°C
Max. suction lift	7 m
Max. ambient temp.	40°C
Max. inlet pressure	0.5 bar

## Pump Connection Sizes

	Inlet	Outlet
Jet 40	G1 Male	G1 Male
Jet 90	G1 Female	G1 Female

## Accessories

A 7 metre suction hose complete with footvalve and strainer is available, part no. 26880.

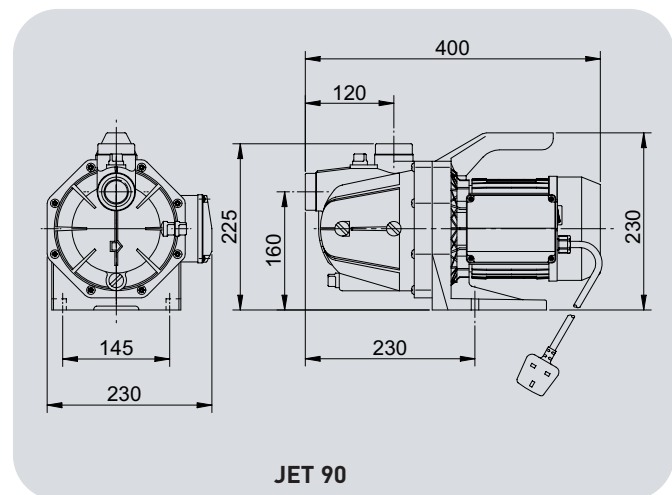
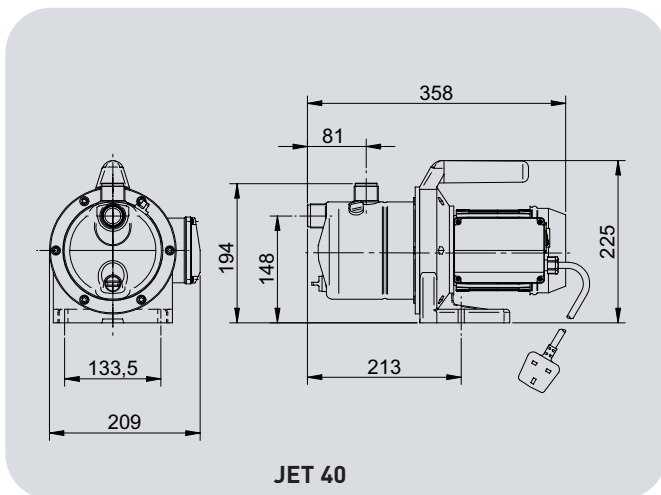


# Self Priming Jet Pumps

Model	Motor*	Watts full	Amps full	Impeller	Seal	Carton Dims.			Gross weight	Part No.
		flow	load			L	x W	x H	Kg	
<b>Jet 40</b>	230/1/50	490	2.4	Plastic	Nit/Car/Cer	410	x 300	x 325	13.6	46310
<b>Jet 90</b>	230/1/50	1192	5.1	Plastic	Nit/Car/Cer	410	x 300	x 325	13.6	45849

\*Built to IP44, all motors are designed for continuous running and feature fully enclosed fan ventilated cooling and integral thermal overload protection.

All dimensions shown are in mm.



Stuart Turner Ltd  
Henley-on-Thames  
Oxfordshire RG9 2AD  
England

Telephone:  
+44 (0)1491 572655  
Fax:  
+44 (0)1491 573704

Email:  
pumps@stuart-turner.co.uk  
Web:  
www.stuart-turner.co.uk

**STUART  
TURNER LTD**