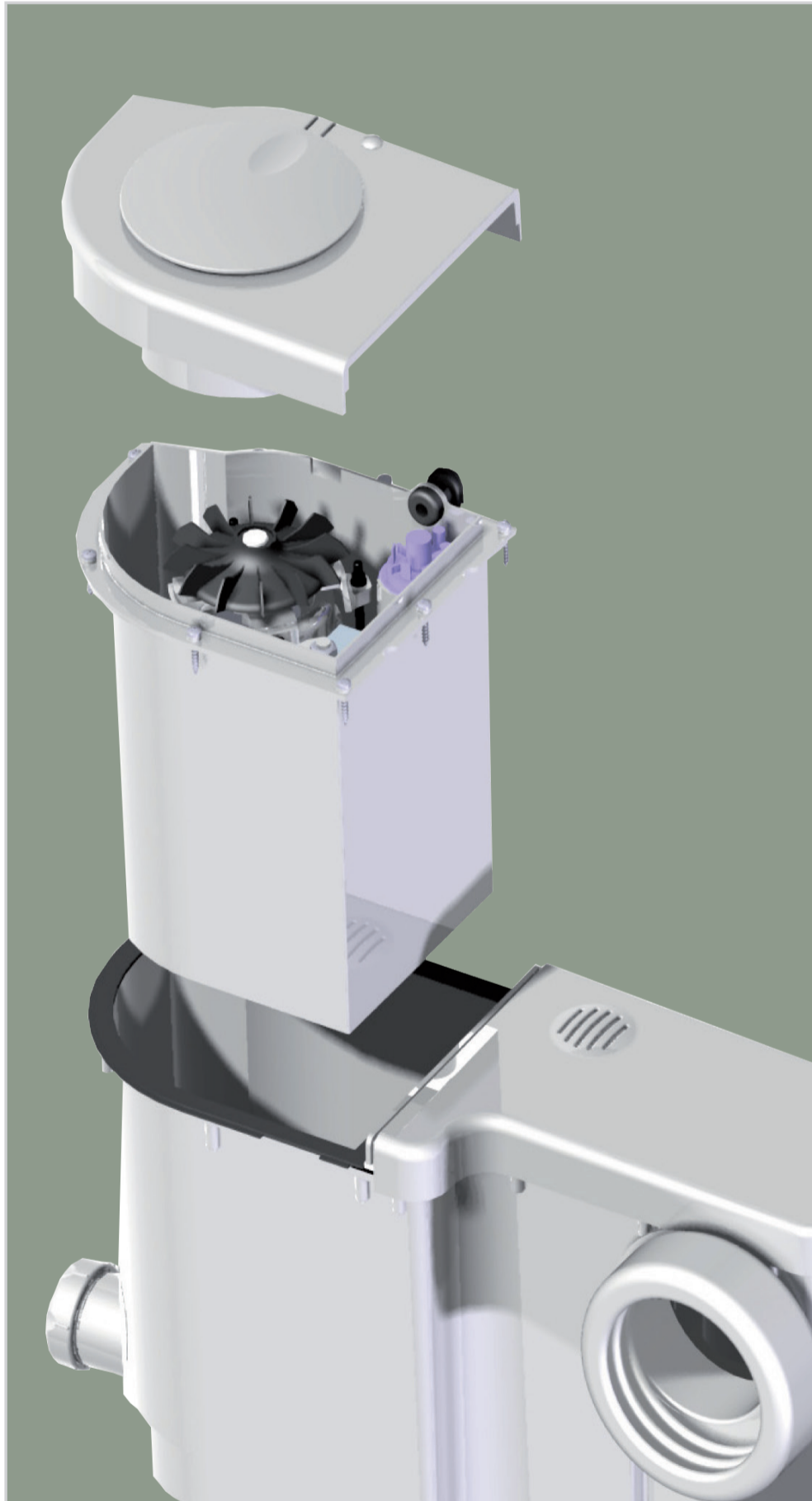


wasteflo

Create a bathroom, kitchen or utility room anywhere with wasteflo.

Within the Wasteflo range of macerators, lifting station and boiler condensate pumps, you will find the solution to efficiently remove wastewater from your property.



DESCRIPTION	WC 1	WC 2	WC 3	WC 4C	LS 5	BC 3
Toilet	●	●	●	●		
Back To Wall Toilet				●		
Wall Hung Toilet				●		
Wash Hand Basin		●	●	●	●	
Shower			●	●	●	
Bath					●	
Bidet			●	●		
Kitchen Sink					●	
Washing Machine					●	
Dishwasher					●	
Combi Boiler						●

Removable cassette system

Wasteflo products are designed with a removable cassette system which allows for clean and easy access without having to remove any pipe work or the appliance when servicing or maintaining the unit.



The clean and simple way to remove waste water

This information is intended for general guidance only. For advice on selecting the correct pump call PumpAssist. Full technical data sheets are available to download:
www.stuart-turner.co.uk

pumpassist
HELPLINE +44 (0) 800 31 969 80