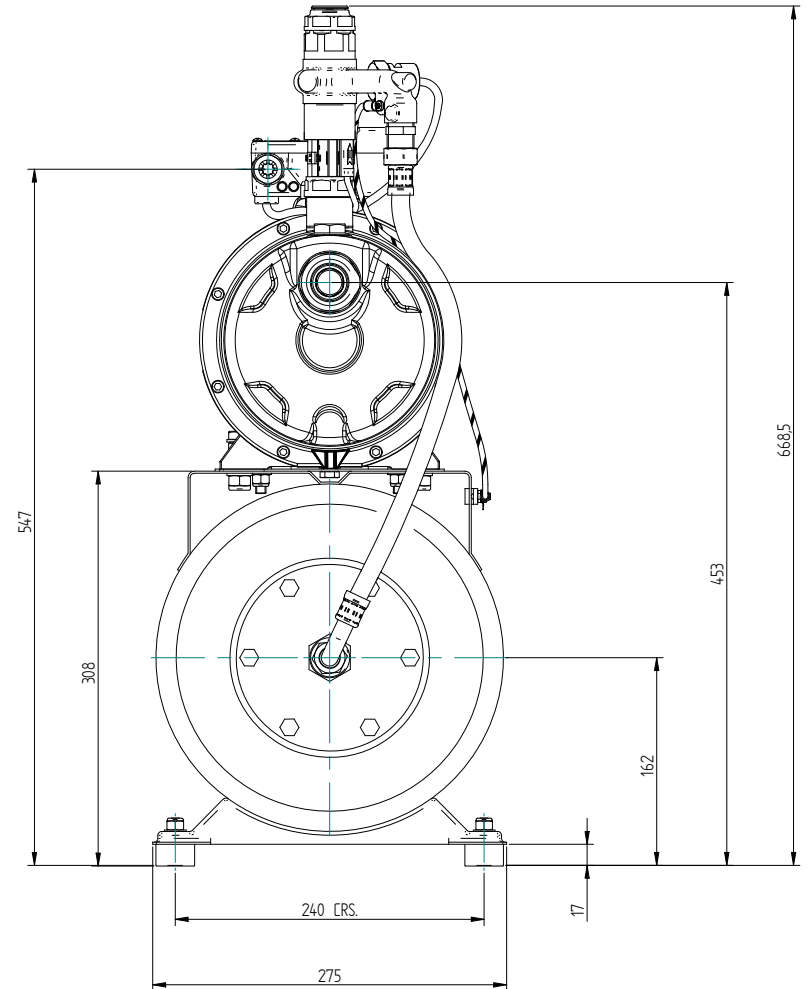
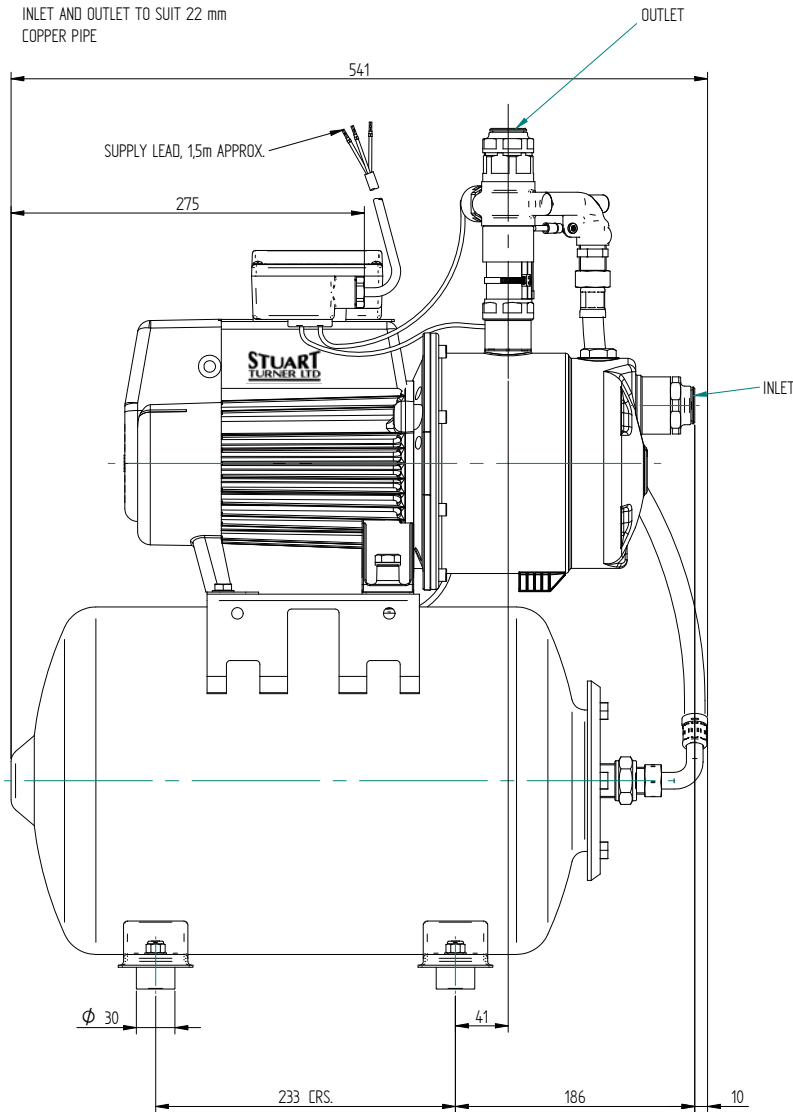


STUART TURNER LTD HENLEY-ON-THAMES.

THIRD ANGLE PROJECTION

DIMENSIONS IN MILLIMETRES

NOTE-
INLET AND OUTLET TO SUIT 22 mm
COPPER PIPE



If drawing is to be used for constructional purposes please contact Stuart Turner Ltd and request a certified drawing.

Stuart Turner Ltd reserve the right to amend the document or product specifications in line with its policy of continuous development.

Stuart Turner Ltd own the copyright within this document. The document may be printed as much as reasonable for private purposes. The document must not be modified, copied, reproduced, republished or communicated in any other way, without prior written permission from Stuart Turner Ltd, Henley-on-Thames, Oxfordshire, RG9 2AD, England.

GENERAL ARRANGEMENT OF A MONSOON EXTRA 4.7 BAR PRESSURE SET

W41088

DATE: 01/10/09