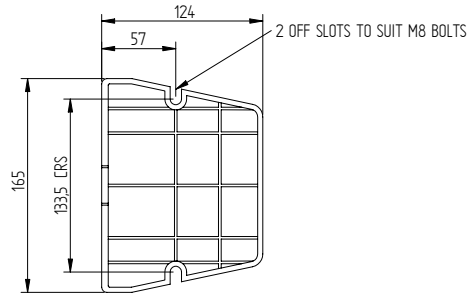


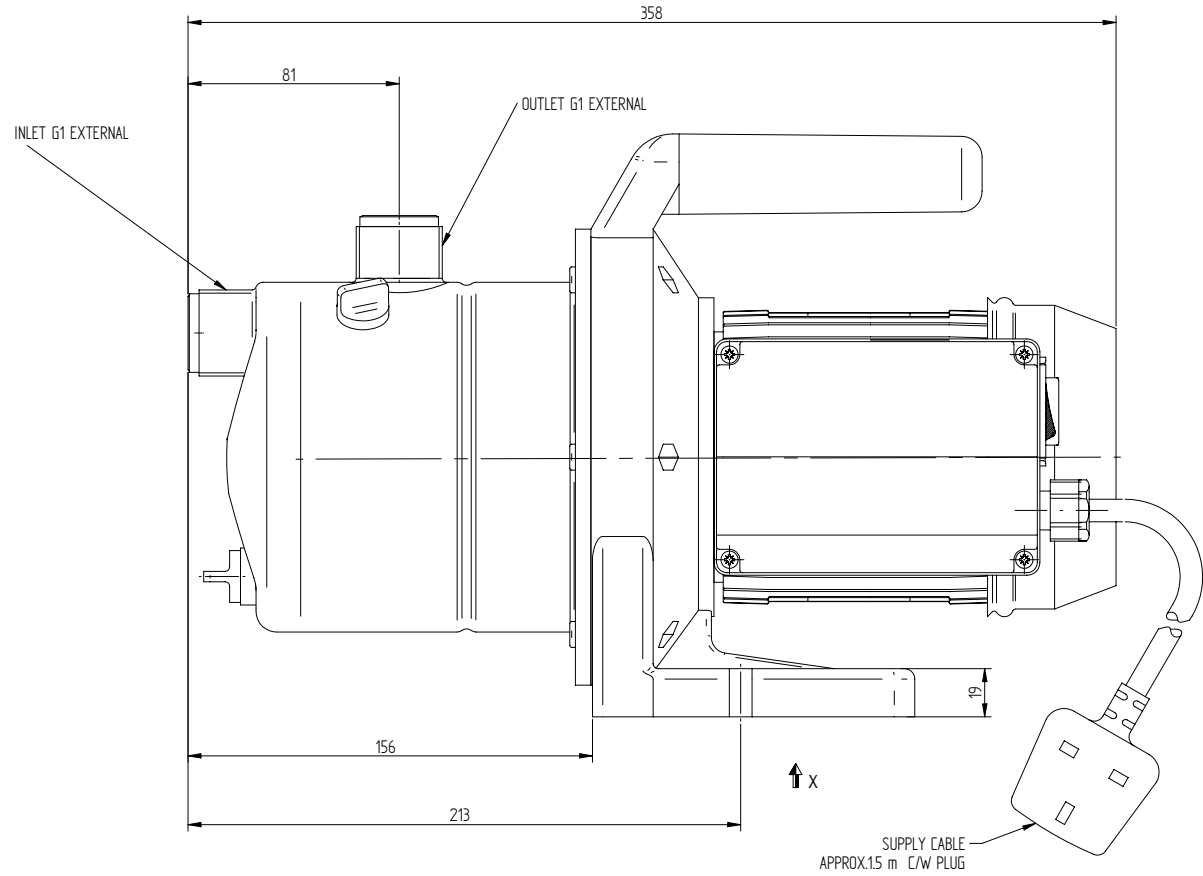
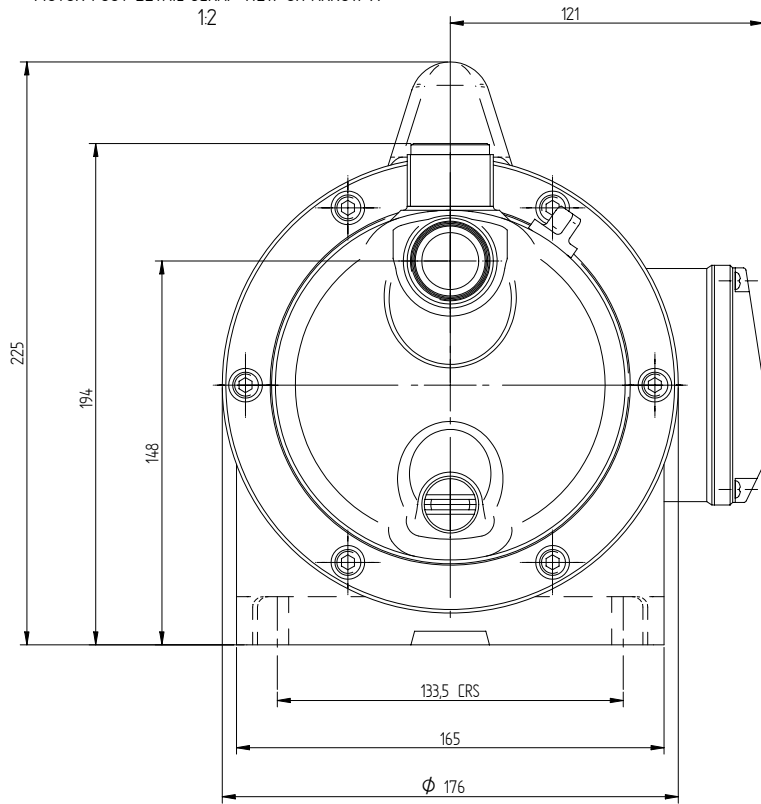
STUART TURNER LTD HENLEY-ON-THAMES.

THIRD ANGLE PROJECTION

DIMENSIONS IN MILLIMETRES



MOTOR FOOT DETAIL SCRAP VIEW ON ARROW X
12



If drawing is to be used for constructional purposes please contact Stuart Turner Ltd and request a certified drawing.

Stuart Turner Ltd reserve the right to amend the document or product specifications in line with its policy of continuous development.

Stuart Turner Ltd own the copyright within this document. The document may be printed as much as reasonable for private purposes. The document must not be modified, copied, reproduced, republished or communicated in any other way, without prior written permission from Stuart Turner Ltd, Henley-on-Thames, Oxfordshire, RG9 2AD, England.

GENERAL ARRANGEMENT OF A JET 40

W40980

DATE: 06/12/05