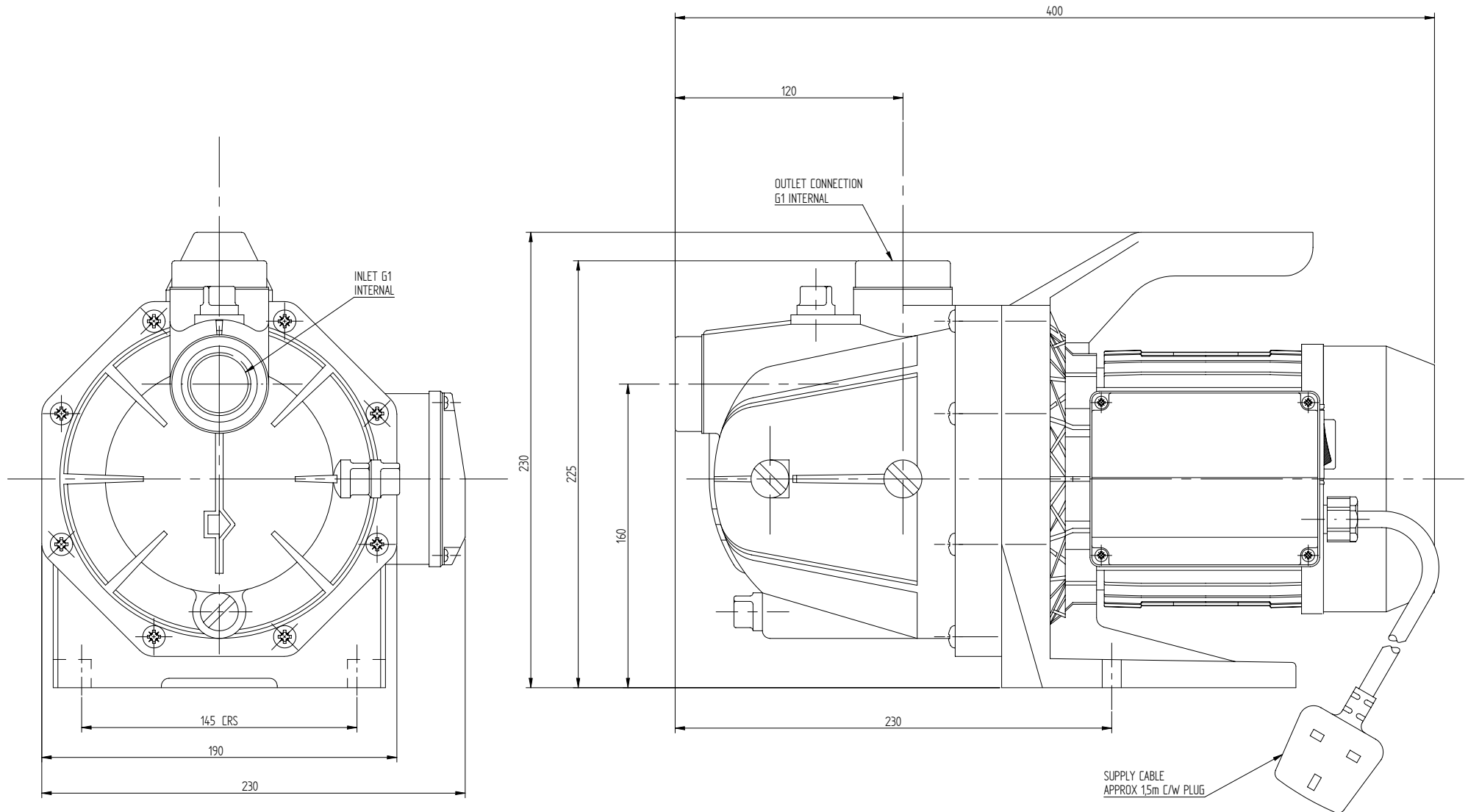


STUART TURNER LTD HENLEY-ON-THAMES.

If drawing is to be used for constructional purposes please contact Stuart Turner Ltd and request a certified document.

THIRD ANGLE PROJECTION

DIMENSIONS IN MILLIMETRES



Stuart Turner Ltd own the copyright within this document.
The document may be printed for personal use only. The document
must not be altered, reproduced or utilized in any way without
written permission from Stuart Turner Ltd, Henley-on-Thames, Oxon, UK.

GENERAL ARRANGEMENT OF A JET 90

W40824

DATE: 06/12/05